

CLIVET

Inspiring Solutions. Since 1989



Versatemp EVH-X Space

Product Presentation

DF19I026GB-01

New Versatemp EVH-X Space 2.1-12.1



High efficiency autonomous air conditioner water cooled

Specialized series for small and medium spaces in commercial applications:

- WSHP (water source heat pump) – source: ground water, well, lake or river
- WLHP (water loop heat pump)

Renewable 'Green' sources and heat recovery

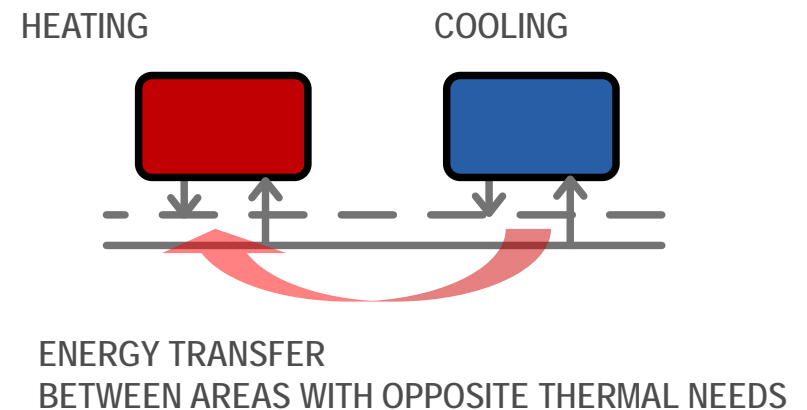
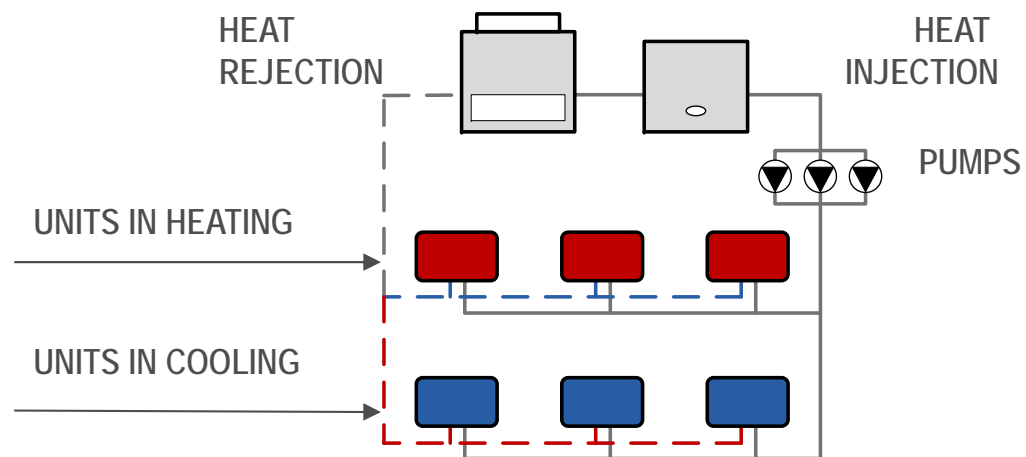
- Sources: geothermal, well, river, lake, sea
- Rejection thermal energy → heat recovery from commercial refrigeration or industrial processes
- Energy transfer between opposite thermal loads → gives the maximum during the mid seasons



WLHP, the Water Loop Heat Pump system

The system that transfers energy

- Two water pipes with water at neutral temperature
- No need: pipes insulation / 4 pipes water distribution / refrigerant pipes
- Unlimited pipes length, the system grows as you want
- Efficiency of heat pump = very high and constant over time
- Great saving of primary energy, up to 40%



Compact, versatile, very high energy efficiency

Purifies and conditions the air in every room served



Use water as a thermal source



It contains the best reversible heat pump technology

Six sizes from 5 up to 30kW

	Cabinet 1		Cabinet 2		Cabinet 3	
EVH-X space	2.1	3.1	5.1	7.1	10.1	12.1
Cooling capacity [kW]	4,8	8,5	11,2	17,9	25,9	30,8
Nominal Airflow rate [m ³ /h]	1000	1500	2800	3800	4900	6000

It completes the Clivet's current water cooled series :

EQV-X cooling capacity 2,1 - 4,1 kW (vertical installation)

EVX-XS cooling capacity 2,1 - 2,8 kW (horizontal installation h<260mm)

EVH-X cooling capacity 2,3 – 4,2 kW (horizontal installation)



It substitutes the series:

EVH-Space cooling capacity 8 – 30 kW (refrigerant gas R407C)

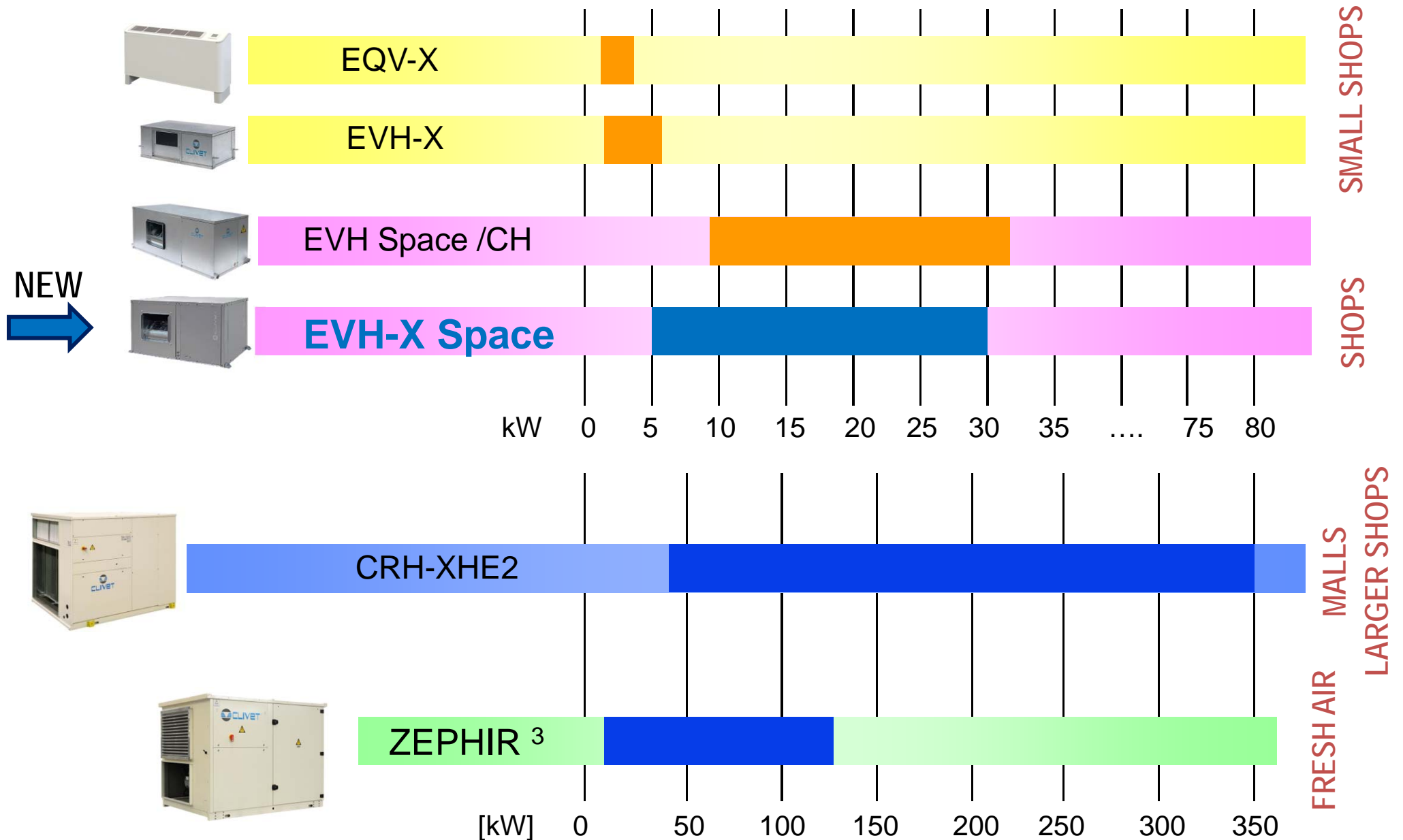
CH cooling capacity 8 -31 kW (refrigerant gas R407C)

Very high energy efficiency in air conditioning thanks to:

- Technology: reversible heat pump with refrigerant gas R-410 A
- Compressors: rotary (sizes 2.1-5.1); scroll (sizes 7.1-12.1) → silent and reliable
- Plate heat exchanger → maximizes the heat exchange
- Three-speed fan: Extraquiet, Quiet, Powerful → great adaptability to air distribution
- Electronic controller as EVH-X and EQV-X → tested and reliable
- Casing in galvanized steel → great sturdiness and durability
- Internal insulation and anti-vibration mounting on moving parts → optimizes the silence
- Easy access to main parts → simplifies the maintenance

Moreover, a wide range of accessories to customize the unit to your applications

The WLHP system: Versatemp and Clivetpack range



High flexibility in ventilation

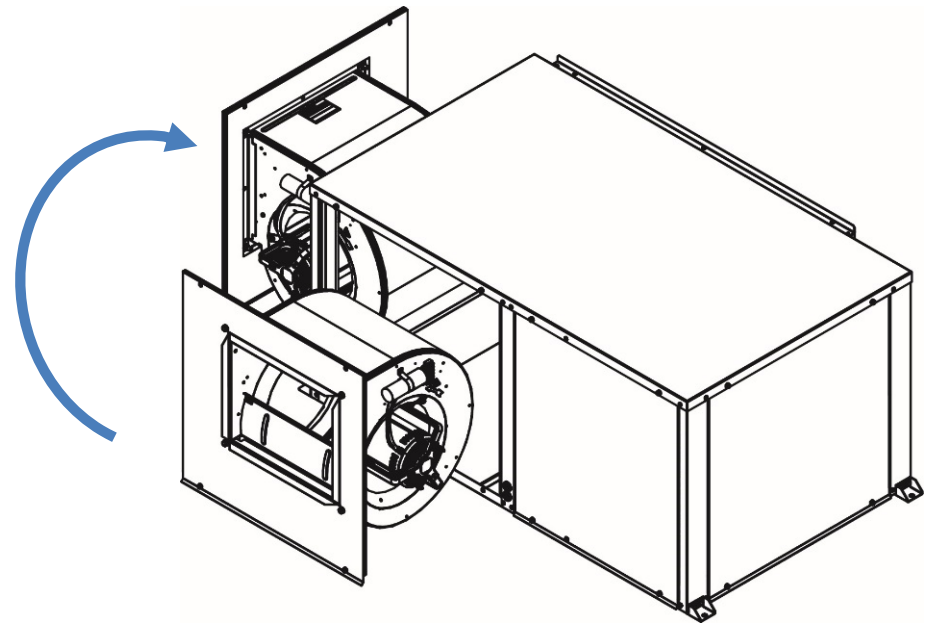
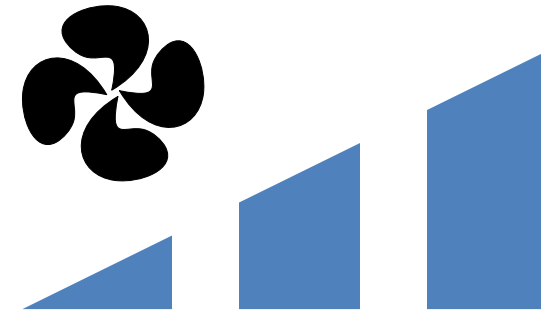
3 speed fan:

- Extraquiet (L)
- Quiet (M)
- Powerful (H)
- Auto, automatic management by thermal control logic

High static pressure available up to: 250Pa;

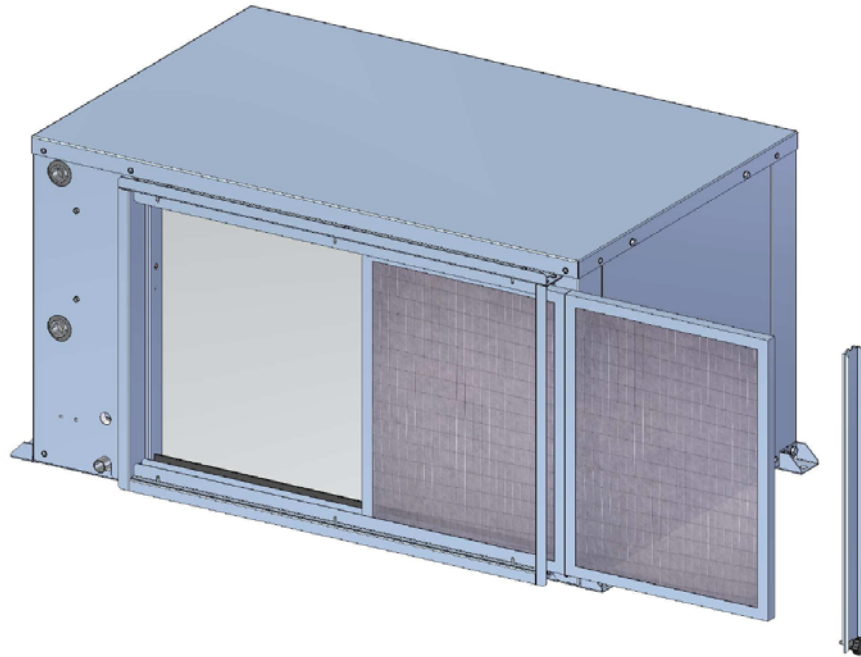
It is easy to rotate the fan position, to have:

- supply air in line with return side
- Supply air at 90° with respect to the return side

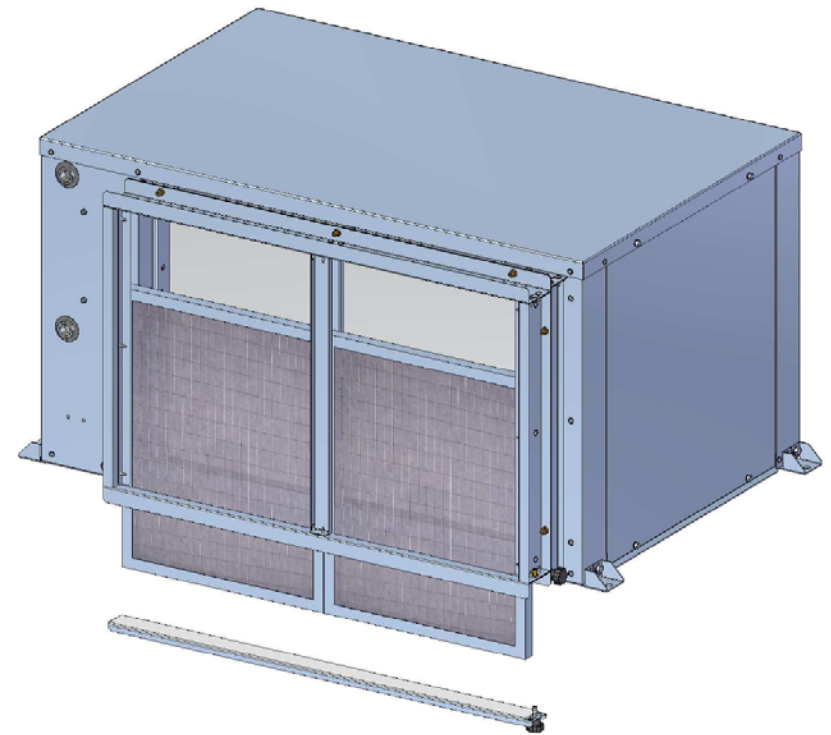


High flexibility for maintenance

It is easy to remove the filter



from side (standard)



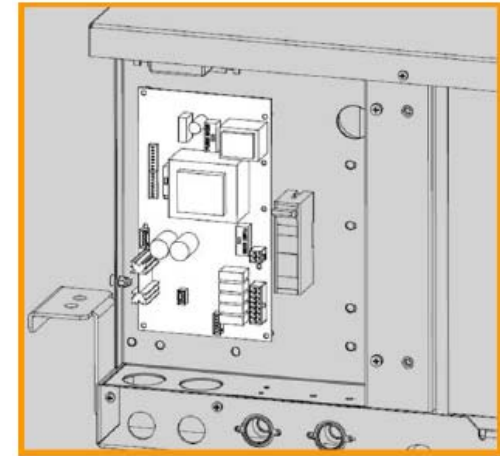
from the bottom (optional)

It is easy to reach all the components of the unit

Automatic control as standard

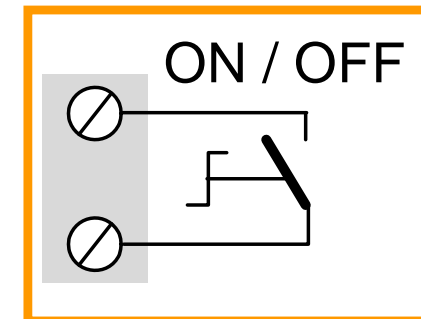
The standard unit is equipped with

- Printed board and microprocessor controller
- Sensors to manage the unit and safety devices
- It is possible a mini network up to 15 units (1 master/14 slaves)



Management of the unit by electric dry contact

- Remote ON/OFF
- Mode: Heating / Cooling
- Selection of Set-point: Comfort or ECO
- Cumulative alarm signal



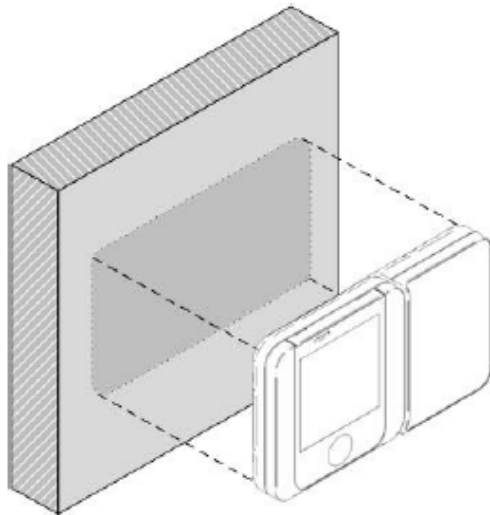
Automatic management with user interface

User interface for indoor installation (optional)

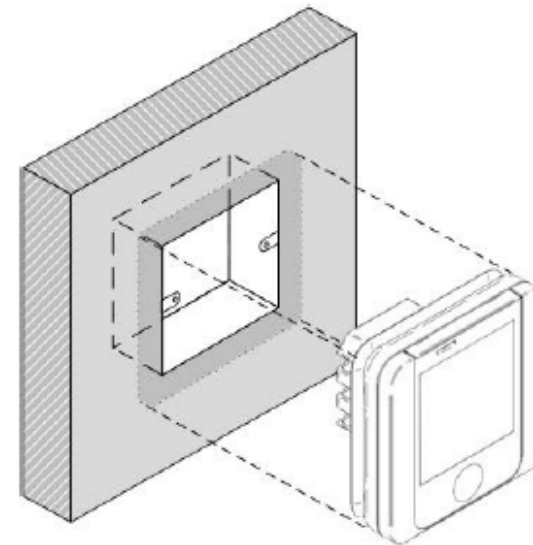
- User friendly interface
- Backlit screen
- Full control of the unit
- It is possible to lock with password, to avoid parameter modification



Installation on the wall



Installation in an uncased box



Automatic management with user interface

It is possible a direct connection to the unit

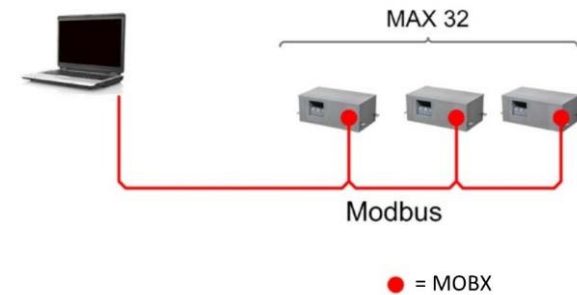


Or a connection up to 200m with a separate power input
(power input 230/1/50, the transformer is included)

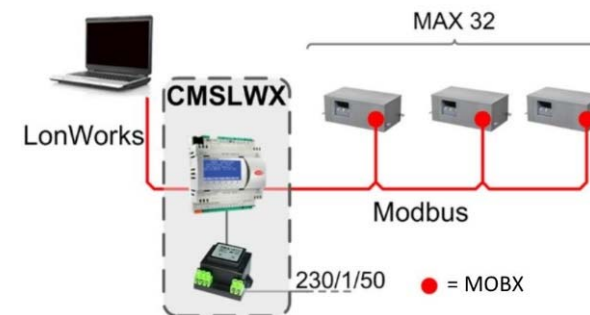


Wide connection to main supervisor systems

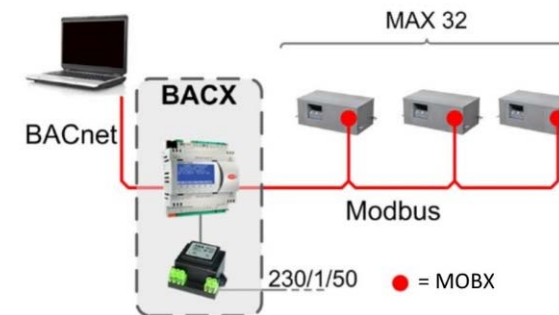
RS485 serial port with Modbus protocol



LonWorks communication serial module



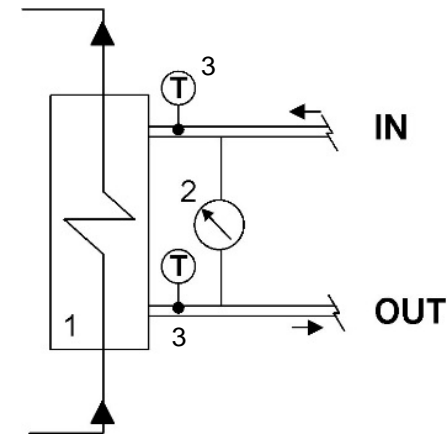
BACnet communication serial module



The versatility in different application systems

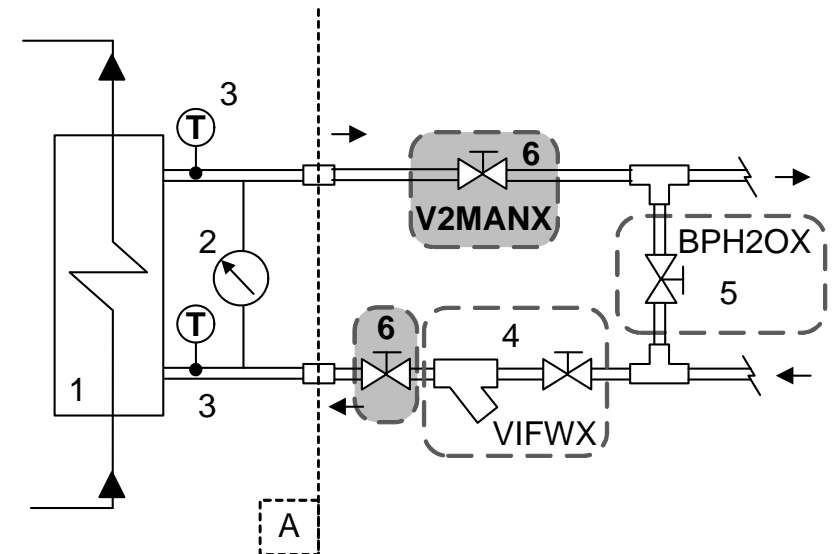
Standard supply

- 1) Plate heating exchanger
- 2) Differential pressure switch for water flow
- 3) Temperature probe IN/OUT



Application with constant flow rate loop (Option)

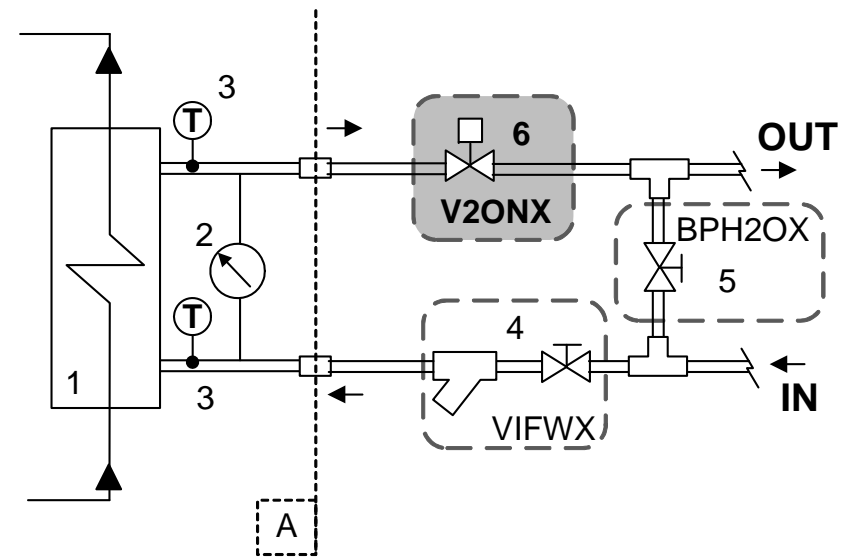
- 4) Steel mesh strainer and hand shut-off valve
- 5) Hand by-pass valve (for flushing)
- 6) Hand shut-off valve



The versatility in different application systems

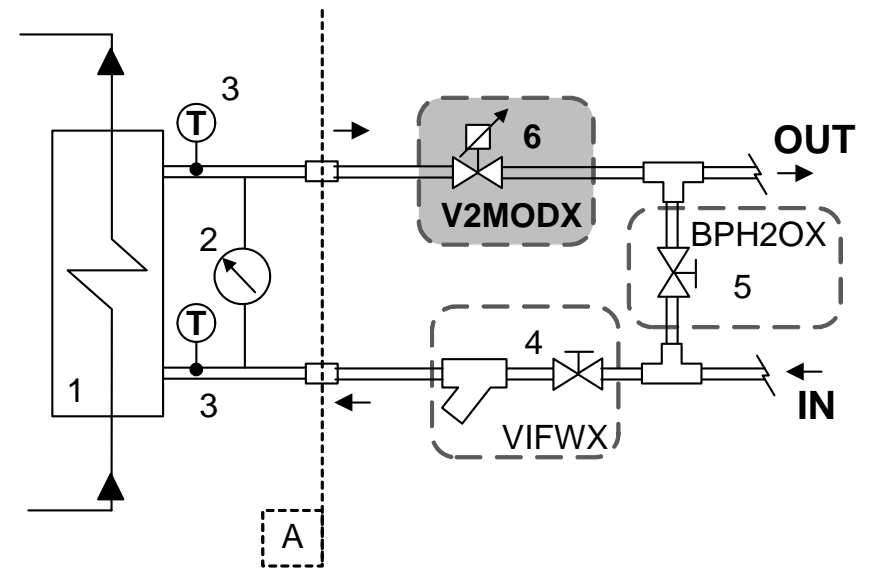
Application with variable flow-rate loop (option)

- 4) Steel mesh strainer and hand shut-off valve
- 5) Hand by-pass valve (for flushing)
- 6) ON/OFF motorized 2 way valve



Application with well water (option)

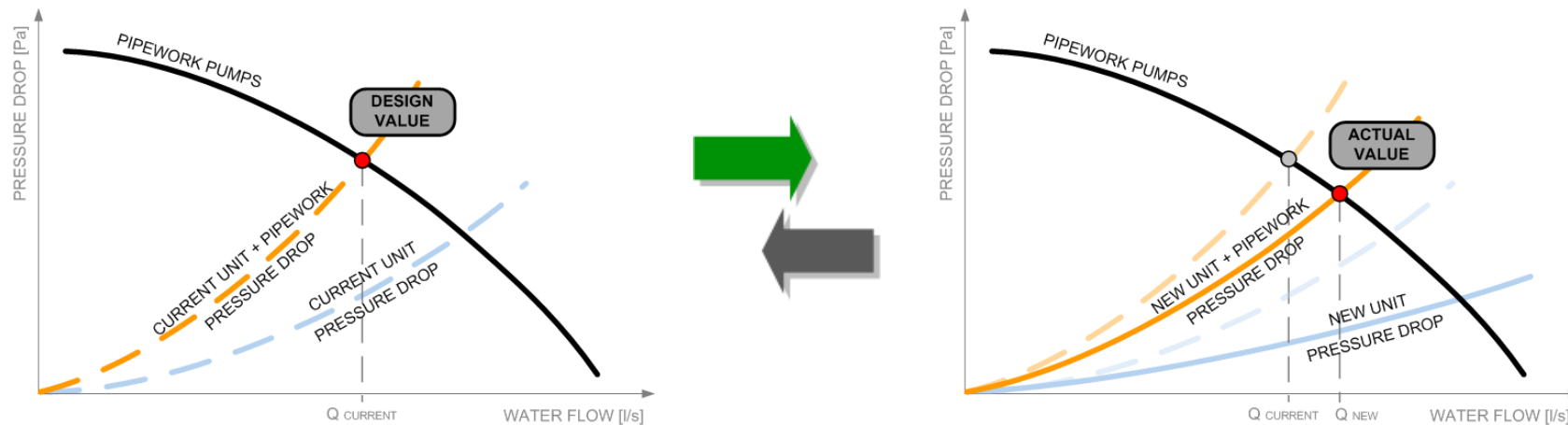
- 4) Steel mesh strainer and hand shut-off valve
- 5) Hand by-pass valve (for flushing)
- 6) Motorized modulating 2 way valve



Perfect for retrofit on Versatemp systems

It can be easily installed in the existing systems to substitute or integrate Versatemp units:

- Delivered capacity and water connection compatibility
- Same sizes and dimensions
- Adaptable to existing water flow rate and IN/OUT temperature difference



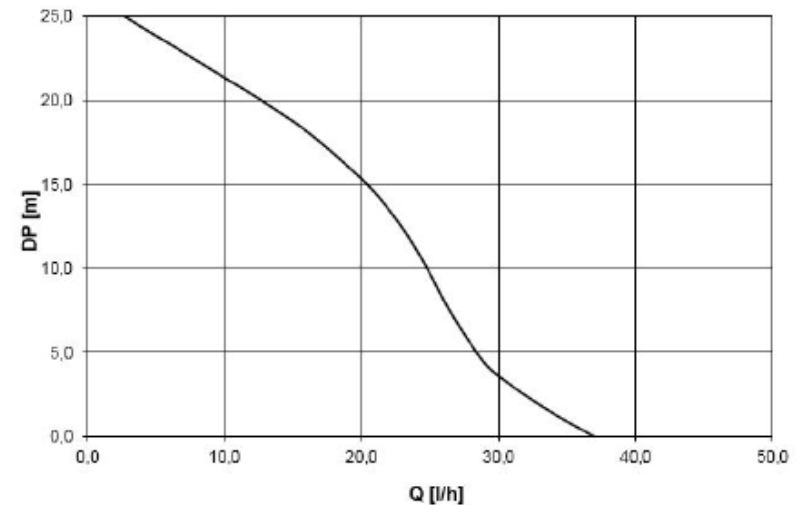
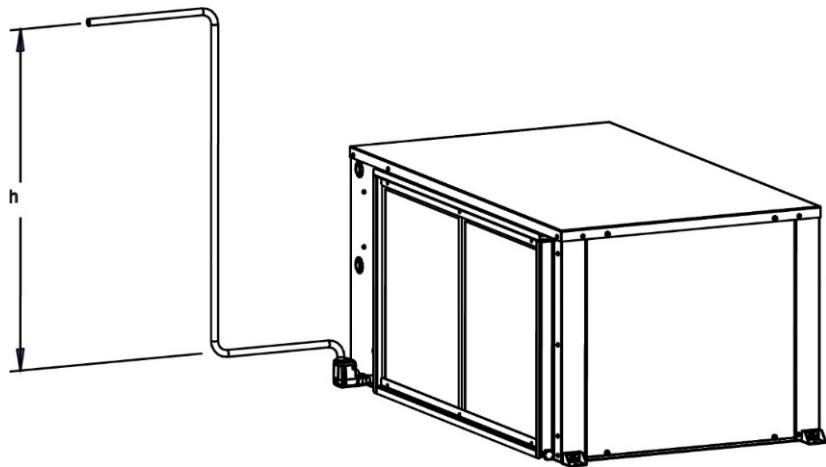
It is available like option the manual balancing valve to manage water flow rate



Solutions for the most difficult installations

The unit is provided with a water level probe on drain pan to avoid flooding (standard supply)

Furthermore, as an option, it is provided a condensate drain pump to win architectural installation constraints



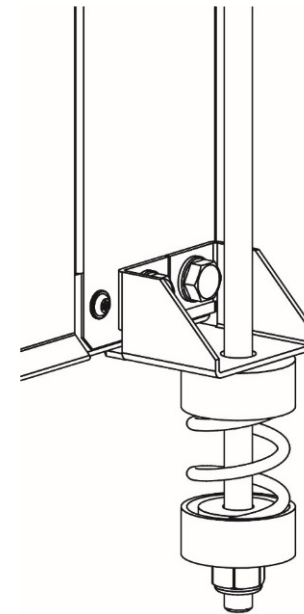
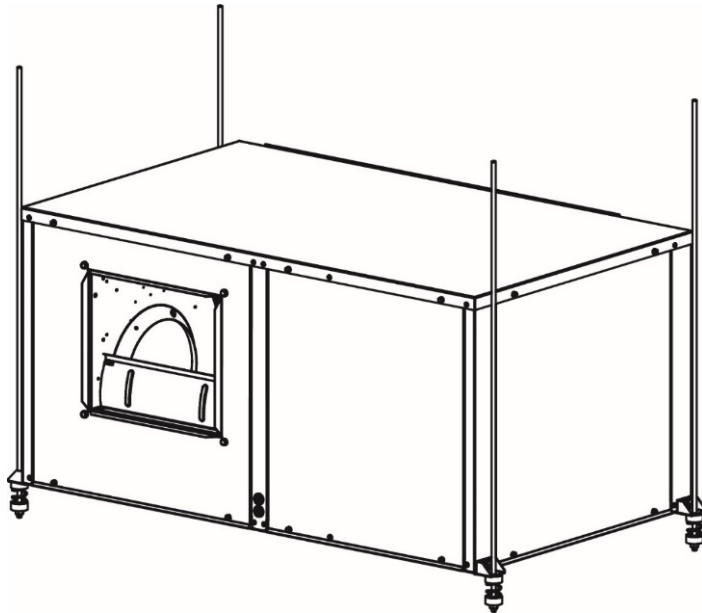
DP: pressure drop (meter of water column)

Q: water flow rate (l/s)

For every concealed installation

Spring antivibration mounts (optional)

They can dampen axial and tangential stress and maintain silence running of the unit



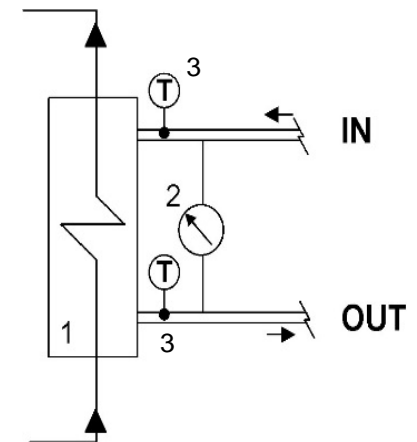
Further information on safety devices on the source side

The unit is complete with source-side safety devices to ensure correct operation in WLHP and WSHP applications :

2) Differential pressure switch on water side → ensures that there is water flow circulation

3) Inlet temperature probe → safety for minimum possible temperature

3) Water outlet temperature probe → safety function on water temperature



In addition, for the most demanding applications, a **flow switch** is available as an option, a device to be connected to the unit to check the amount of water passing through the exchanger, a further check that is next to the differential pressure switch.

Remember: **VERSATEMP EVH-X Space**

- Is the autonomous reversible heat pump water cooled
- Is typically used for WLHP and WSHP
- Perfect to install in small-medium commercial spaces, shopping mall, open space offices
- Compact design, it is easy to install on false ceilings
- High energy efficiency thanks to heat pump technology
- Automatic control
- Perfect on retrofit of Versatemp old series
- Reliable for the high industrialized production processes
- Ready to use for constant or variable water flow system, with hydraulic options

Other information for the market

The series is:

- Ready for ERP 2021
- LEED certification compliant

The standard unit has fire resistant insulation: Euroclass B = class 0 for UK

For French market is ready the option Class M0

www.clivet.com



A Group Company of
 Midea